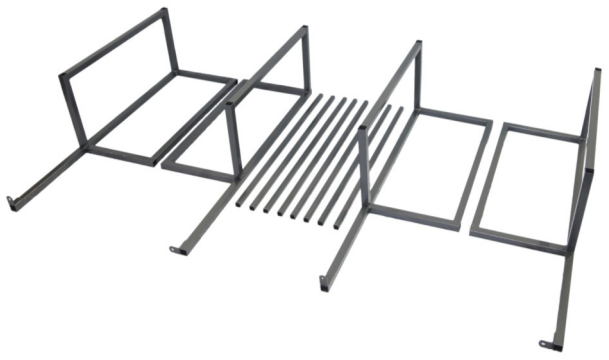


Assembly Instructions– X90

CONTENTS: (4) Corner Pieces, (8) Insert Pieces, (1) Top Assembly
(8) Plastic Caps, (18) Screws

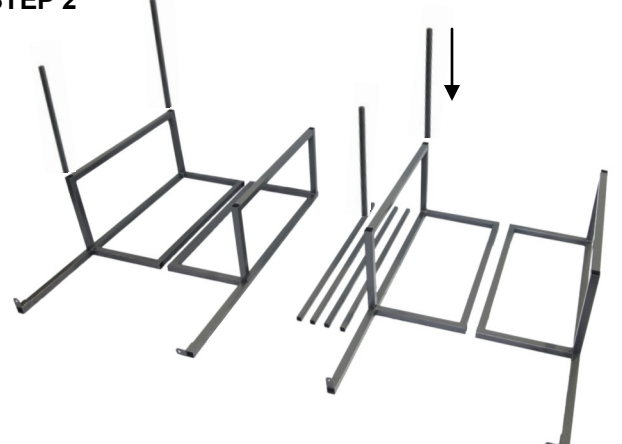
Layout all the cage components into 2 pairs as shown.

STEP 1




Place two (2) insert pieces with center indicators facing up into the slots of two corners as shown.

STEP 2



Position remaining corner piece over first one, align the 2 holes, and lower into place. Do this to both sides.

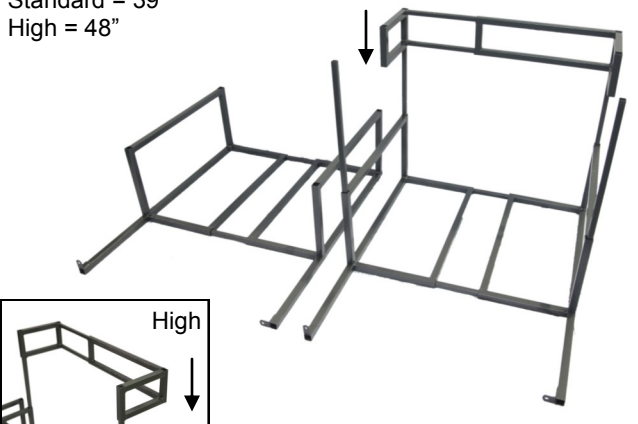
STEP 3



Lay sections flat. Insert final (4) pieces and install top assembly. For low position, turn top assembly over.


STEP 4

Low = 30"
Standard = 39"
High = 48"



Position other completed section over the first section, align, and lower. Place cage upright.

STEP 5



TIP–To conceal screw location (**Step 6**), place cage upside down to adjust and secure from underneath. Standard & Low height only

Adjust to desired dimensions. Center all insert pieces and secure with screws underneath where illustrated.

STEP 6

