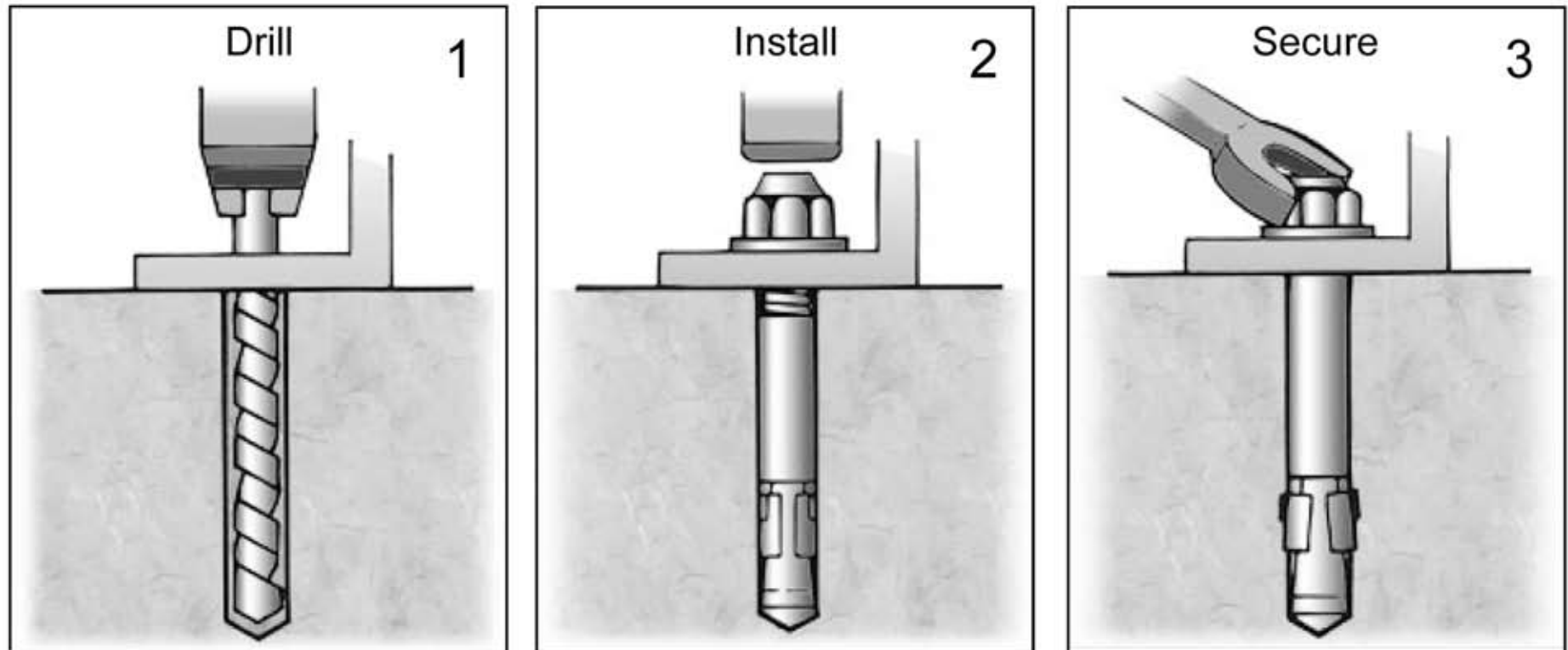


Concrete Installation Tips—Wedge Anchors



- 1– Drill Hole to the depth wedge anchor is to be embedded using a **Concrete** Bit. (Anchor size = Hole size)
- 2– Clean out hole with air source (Important Step)
- 3– Place nut on end of wedge anchor (Protects threads during installation)
- 4– Use Epoxy (Hardware Store) in hole during installation of wedge anchor. Failure to complete this step may cause anchor to spin freely when removing fasteners for future service.
- 5– Hammer wedge anchor securely into hole deep enough where only threads are visible
- 6– Tighten standard nut until snug (Do not over tighten)
- 7– After epoxy cures, replace existing nut with tamper resistant fastener (Optional)